



# AVM521A

## 2 MP IR Dome

## IP Camera



### FEATURES

- **3-axis** mechanism for flexible ceiling and wall-mount installation
- MicroSD card support for **video storage**
- **POE (Power-over-Ethernet)** support to eliminate the use of power cables and reduce installation costs
- **External alarm I/O device** connection
- **ONVIF** standard supported to simplify system integration
- **WDR** to increase image recognizability in overexposure and dark areas
- **Solid Light** series featuring better overexposure prevention (Advanced Smart Light Control), automatic adjustment of image brightness, and longer lifetime of LEDs
- Smart Light Control to dynamically adjust image performance for clear and accurate images
- **Remote Surveillance**
  - **Fully compatible** with **iOS** and **Android** devices, and **Internet Explorer** on Windows operating system
  - **Push Video** available on your iOS and Android devices when used with Push Video NVR series.

### SPECIFICATIONS

■ Network	
LAN Port	YES
LAN Speed	10/100 Based-T Ethernet
Supported Protocols	DDNS, PPPoE, DHCP, NTP, SNTP, TCP/IP, ICMP, SMTP, FTP, HTTP, RTP, RTSP, RTCP, IPv4, Bonjour, UPnP, DNS, UDP, IGMP, QoS
ONVIF Compatible	YES (Profile S)
Number of Online Users	10
Security	(1) Multiple user access levels with password (2) IP address filtering (3) Digest authentication
Remote Access	(1) Internet Explorer on Windows operating system (2) 16CH Video Viewer on Windows & MAC operating system (3) EagleEyes on iPhone, iPad & Android mobile devices
Network Compression	H.264 (Main Profile) / MJPEG
Frame Rate	30/25fps
Multiple Video Streaming (Encode Modes, IPS, Resolution)	4 (H.264, MJPEG)



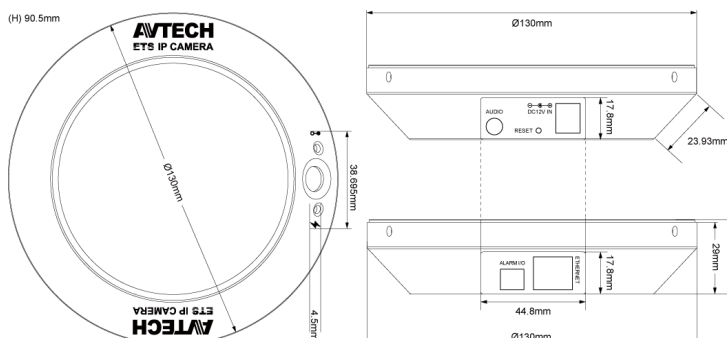
## SPECIFICATIONS (CONTINUED)

■ Camera	
Image Sensor	1/ 2.9" SONY CMOS image sensor
Video Resolution	1080P to CIF
Min Illumination	0.1 Lux / F1.5, 0 Lux (LED ON)
Shutter Speed	1/10,000 ~ 1/7.5 (Slow shutter)
S/N Ratio	More than 48dB (AGC off)
Lens	f3.8mm / F1.5
Viewing Angle	83.2° (Diagonal) / 73.2° (Horizontal) / 42.8° (Vertical)
IR LED	1 Unit
IR Effective Distance**	Default: up to 15 meters
PIR Sensor	Detection Range 76° wide angle with up to 5m long distance at 2.5m height (under 30°C)
IR Shift	YES
Smart Light Control	YES
White Balance	ATW
WDR	YES
■ General	
AGC	Auto
IRIS Mode	AES
POE	YES (IEEE 802.3af)
External Alarm I/O	YES (1 in / 1 out)
Line in / out	YES
MicroSD Card Slot	YES
Operating Temperature	0°C~40°C
Power Source (±10%)	12V / 1A
Current Consumption (±10%)	400mA
Power Consumption (±10%)	6W (PoE) ; 6W (PoN) ; 4.8W (DC Adapter)
■ Others	
Mobile Surveillance	iOS & Android mobile devices
Event Notification	FTP / Email / SMS
3-Axis	YES
Digital Pan / Tilt / Zoom	YES
Motion Detection	YES
RTC (real-time clock)	YES
Minimum Web Browsing Requirements	<ul style="list-style-type: none"> <li>• Intel core i3 or higher, or equivalent AMD</li> <li>• 2G RAM</li> <li>• AGP graphics card, Direct Draw, 32MB RAM</li> <li>• Windows 7, Vista &amp; XP, DirectX 9.0 or later</li> <li>• Internet Explorer 7.x or later</li> </ul>

\*The specifications are subject to change without notice.

\*\* Using IR enhanced mode and slow shutter speed, the distance can be extended even longer.

## DIMENSIONS



Dimensional tolerance:  $\pm 5\text{mm}$